

## Davit arm for rope access

Potence pour travaux sur corde

Pescante para trabajos en suspensión

Auslegerarm für Industriekletterer

**FALLPROTEC**

May 2019

# New Product Information

## Application

Removable davit designed to suspend a worker to carry out maintenance or cleaning work on a façade. The davit is used by a rope access specialist or by a worker sitting on a chair or cradle fitted with a Ropeclimber hoist. The davit is fixed to the roof with sockets installed permanently every two meters on the perimeter of the building. At the end of the work, the davit is dismantled and stored.

## Description

The davit is made of:

- An aluminum rotating jib with a span of 1600 mm, two anchor points allow to attach separately, the main rope and the safety rope, the position of the 2 anchors along the arm is adjustable between 600 and 1600 mm.
- An aluminum mast 1.5 m high between the finished surface of the roof and the arm
- Stainless steel sockets fixed on the roof slab with 4 M16 bolts, the sockets are available with a height of 250 mm or 500 mm, a cover closes the socket when not in use.
- Stainless or galvanized steel sockets fixed on the wall or on parapet by 4 M16 bolts.

For configuration on concrete slab, the mast is engaged in the socket with the help of two handles. The jib is engaged along the mast and held in position by a ring.

For configuration to the wall, the mast is engaged in the socket with a pin, the jib is then engaged on the mast and the assembly is raised in a vertical position.

An anchor point welded to the socket makes it possible to secure two persons during the assembly and to secure by a cable, the mast to the socket.

## Standards



EN1808:2015

Total suspended load from the davit

- 240 kg for men lifting

Designed for 1 rope access specialist.

2 men for rescue operation only

WLL of the RopeClimber 240 kg

Ultimate strength of davit and sockets 15 kN.



---

## Davit arm for rope access

Potence pour travaux sur corde

Pescante para trabajos en suspensión

Auslegerarm für Industriekletterer

---

---

**FALLPROTEC**

---

May 2019

---

## Weight

Mast total height 2000 mm:

17,4kg

Jib reach 1600 mm:

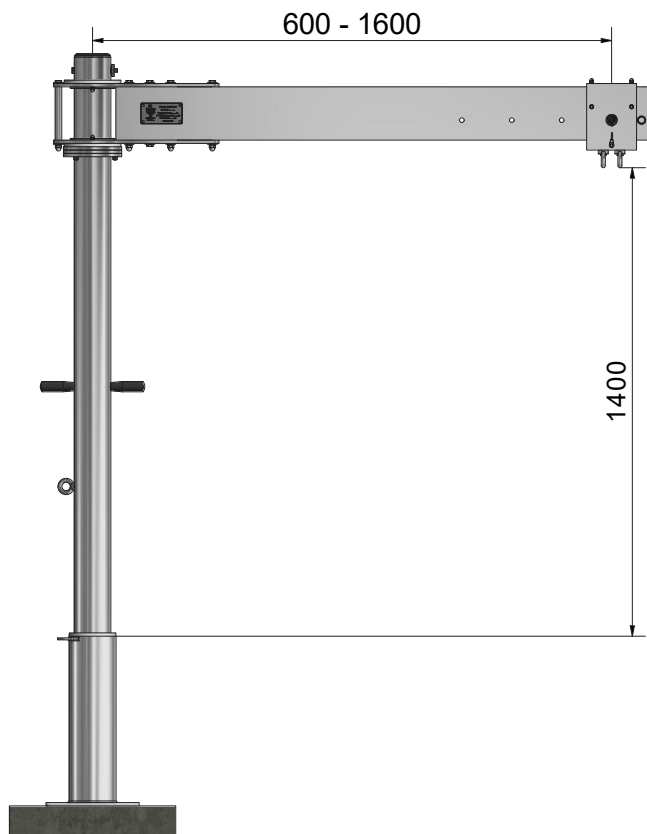
13,5kg

Socket with cover on roof slab in stainless steel height 260 mm:

11,9kg

Socket with cover on roof slab in stainless steel height 510 mm:

17,5kg



## Davit arm for rope access

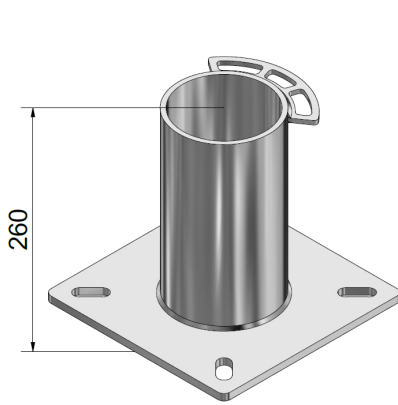
Potence pour travaux sur corde

Pescante para trabajos en suspensión

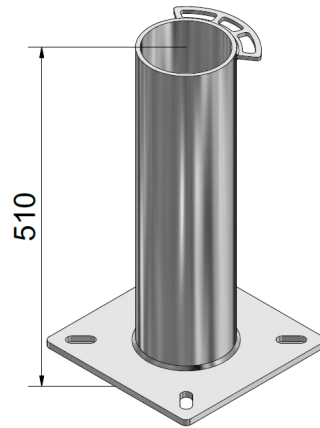
Auslegerarm für Industriekletterer

**FALLPROTEC**

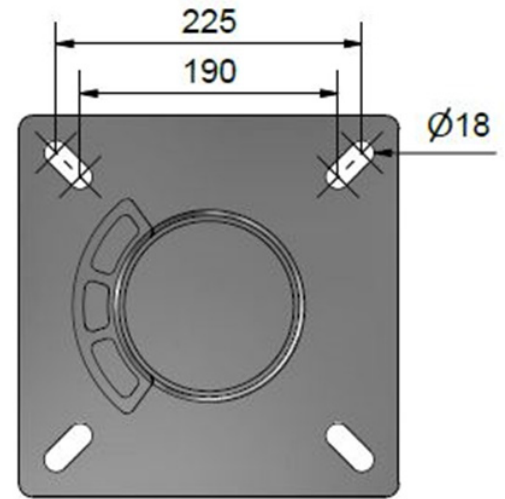
May 2019



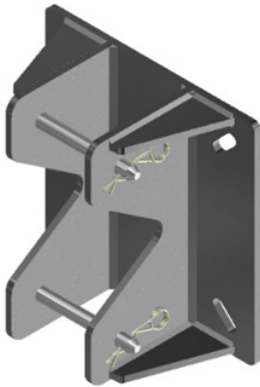
Socket height 260 mm



Socket height 510 mm



Flange



Socket for parapet