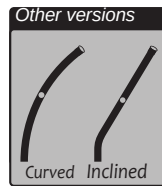


## Offset face mounting : GCE-DAD

The **SECURILISSE<sup>®</sup> evo GCE-DAD** is a collective system against falls from heights, designed for roofs that are inaccessible to the public for face mounting installation.

**Quick installation**  
**No maintenance**  
**Attractive design**  
**60 mm offset**



Materials: Aluminium

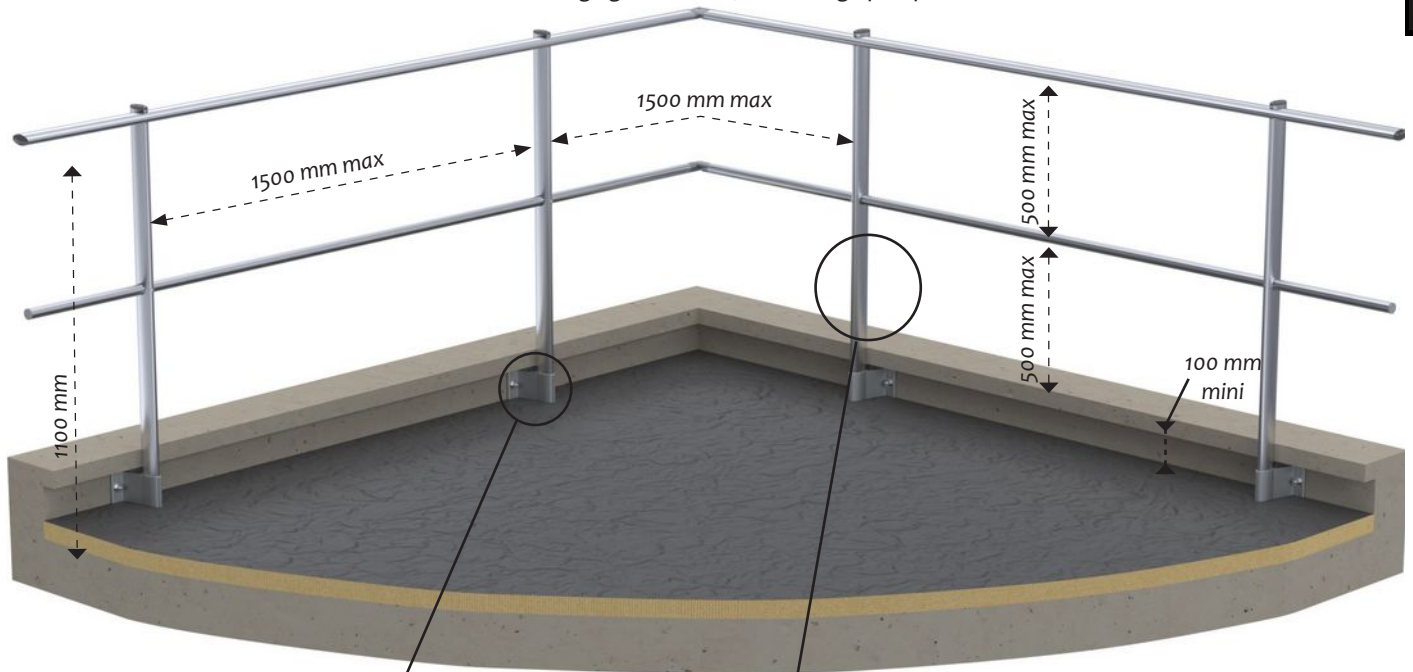
Finish: Raw, anodised or powder coated

Technique: Delivered with manuals and drawings available online at:  
<http://extranet.somain.fr>

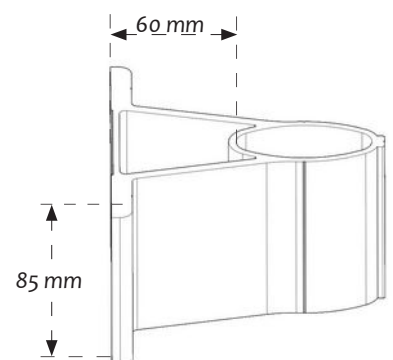
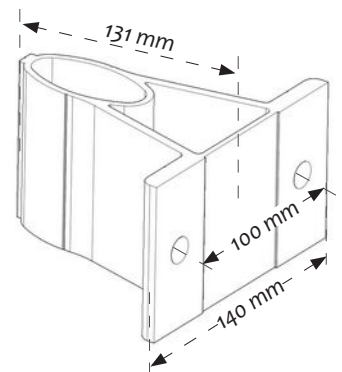


## Straight guardrail with midrail: GCE-DAD2

The **SECURILISSE<sup>®</sup> evo GCE-DAD2** is used for mounting against a 100-570 mm high parapet.



### Space requirement:



**REF: 101455**

Base for offset face mounting.  
Fixing : 2 m12  
Spacing : 100 mm



**REF: 102331**

Straight upright with midrail.  
Its length depends on the height of the parapet.

**REF: 102329**

Straight upright without midrail.  
Its length depends on the height of the parapet (higher than 570mm).

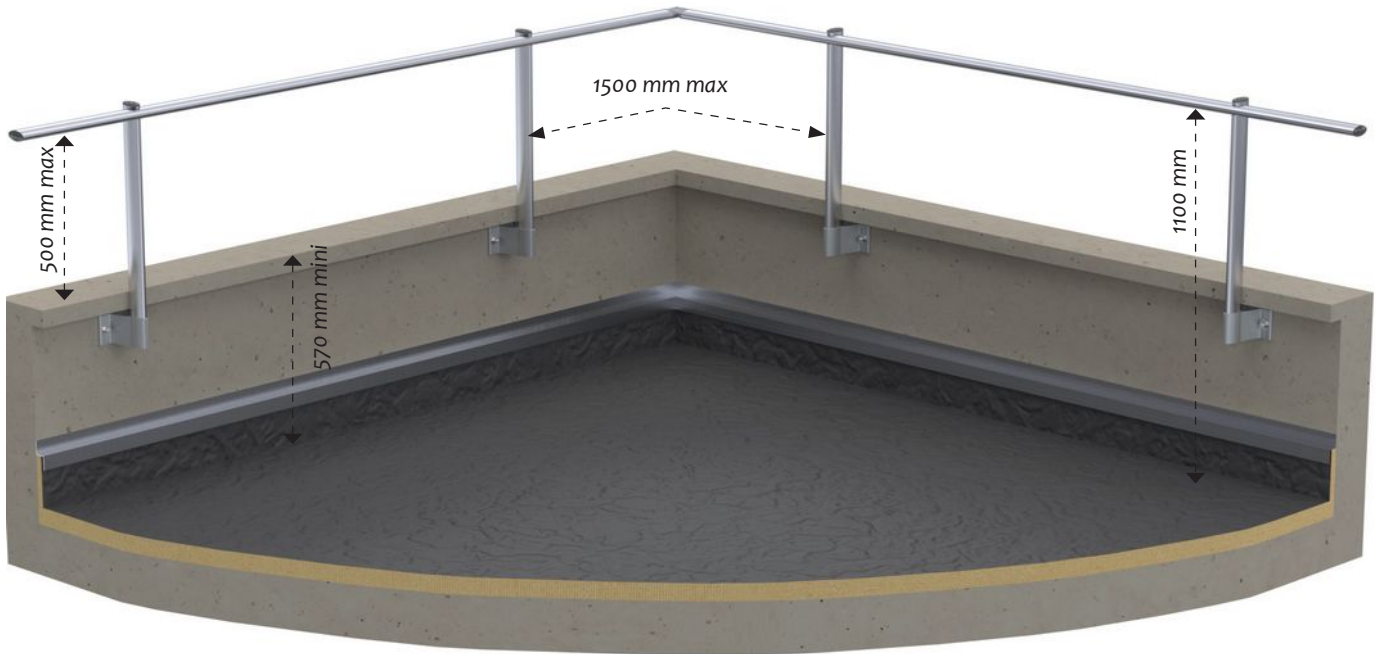
STANDARD

Guardrails

evo GCE-DAD

## Straight guardrail without midrail: GCE-DAD1

The **SECURILISSE<sup>®</sup> evo GCE-DAD1** is used for mounting against a higher than 570 mm parapet.



## Straight guardrail with midrail and toeboard: GCE-DAD3

The **SECURILISSE<sup>®</sup> evo GCE-DAD3** is suitable for work areas without a parapet. The standard then requires the installation of a toeboard.

