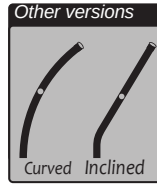


Top mounting : GCE-DP

The **SECURILISSE[®] evo GCE-DP** is a collective system against falls from heights, designed for roofs that are inaccessible to the public for top mounting installation.

Quick installation
No maintenance
Attractive design



Material: Aluminium

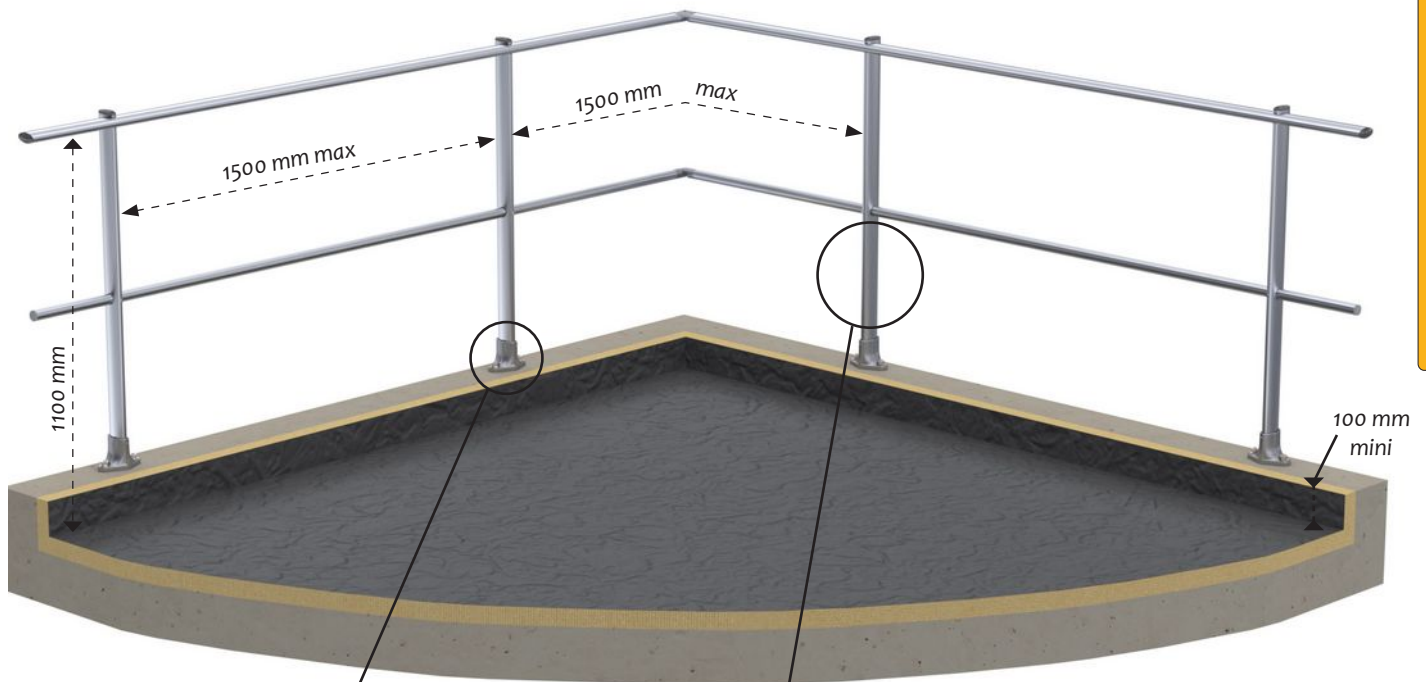
Finish: Raw, anodised or powder-coated

Technique: Delivered with manuals and drawings available online at:
<http://extranet.somain.fr>



Straight guardrail with midrail: GCE-DP2

The **SECURILISSE[®] evo GCE-DP2** is used for mounting on a 100 to 570 mm high parapet.



REF: 100253

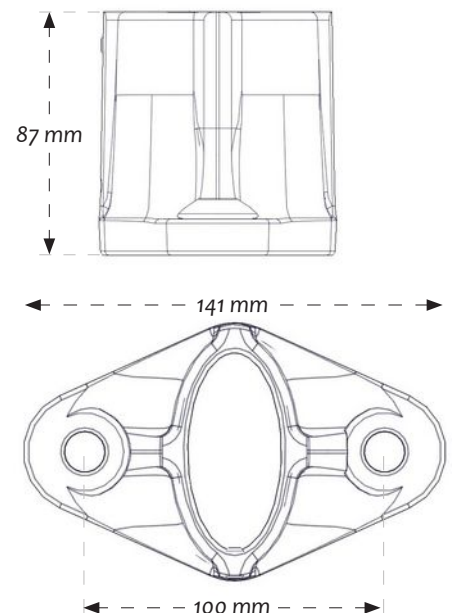
Base for top mounting.
Fixing : 2 M12
Spacing : 100 mm



REF: 102331

Straight upright with midrail.
Its length depends on the height of the parapet.

Space requirement:



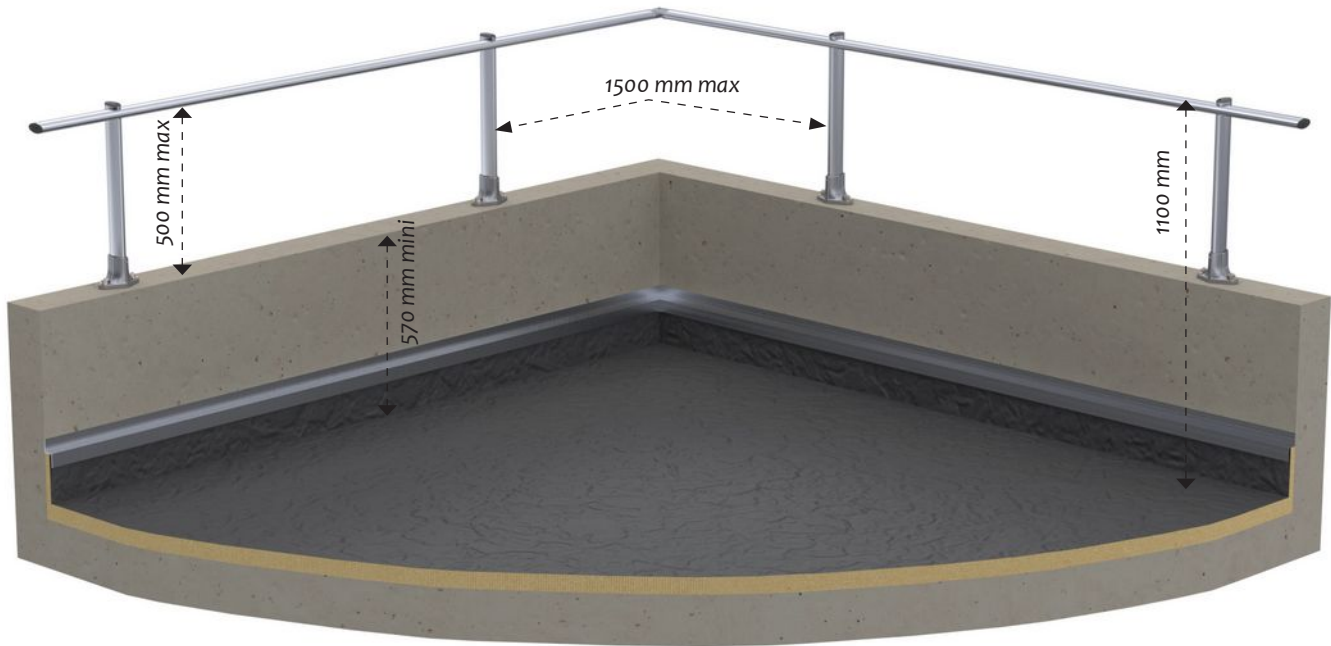
REF: 102329

Straight upright without midrail.
Its length depends on the height of the parapet (higher than 570mm).

Top mounting : GCE-DP

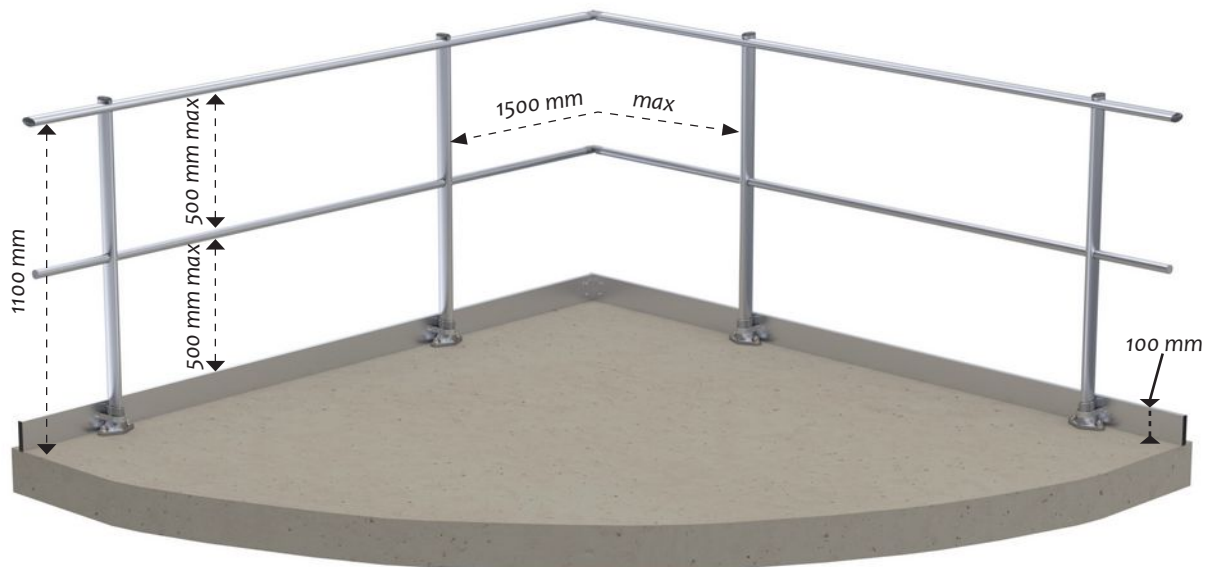
Straight guardrail without midrail: GCE-DP1

The **SECURILISSE** *evo GCE-DP1* is used for top mounting on a parapet higher than 570 mm.



Straight Guardrail with midrail and toeboard: GCE-DP3

The **SECURILISSE** *evo GCE-DP3* is suitable for work areas without a parapet. The standard then requires the installation of a toeboard.



REF: 102331

Standard straight upright.

Toeboard accessory:



REF: 100559

Toeboard fixation for GCE-DP3.
With a parapet of less than 100 mm.

